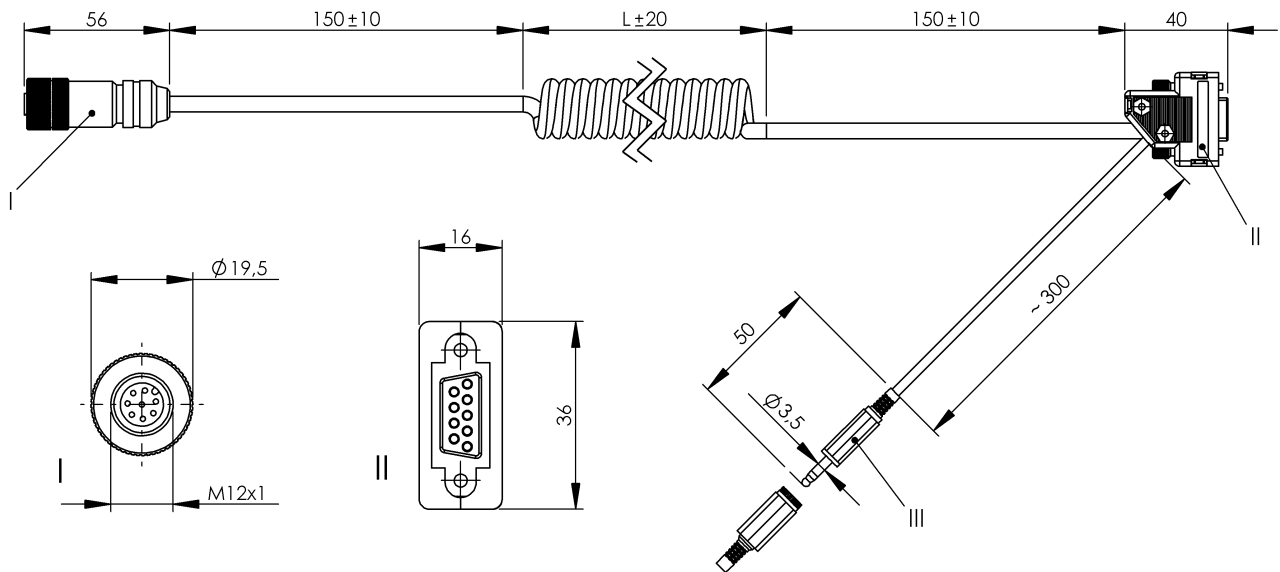


Y-Splitters

BIS Z-AK-001-PU1-03

Order Code: BCC00T2

BALLUFF



Basic features

Approval/Conformity	CE UKCA WEEE
---------------------	--------------------

Electrical connection

Bending radius min., fixed cable	30 mm
Bending radius min., flexible cable	60 mm
Connection 1	M12x1-Female
Connection 2	D-Sub-Female
Connection 3	Jack plug
Number of conductors	4/2
System	Molded/assembled

Electrical data

Operating voltage U_b	19.2...26.4 VDC
-------------------------	-----------------

Environmental conditions

Cable temperature, flexible routing	0...70 °C
IP rating	IP40

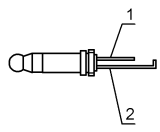
Mechanical data

Cable jacket, color	black
Cable length coil	0.8...2.7 m

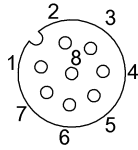
Remarks

Enclosure rating per IEC 60529, only in screwed state with the associated mating piece.
Only together with BIS L-40x or BIS M-40x

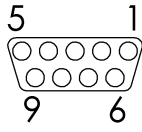
Connector Drawings



III
 PIN 1: +VS
 PIN 2: GND



I
 PIN 2: TxD
 PIN 3: RxD
 PIN 6: GND
 PIN 7: +VS



II
 PIN 2: TxD
 PIN 3: RxD
 PIN 5: GND

Wiring Diagrams

